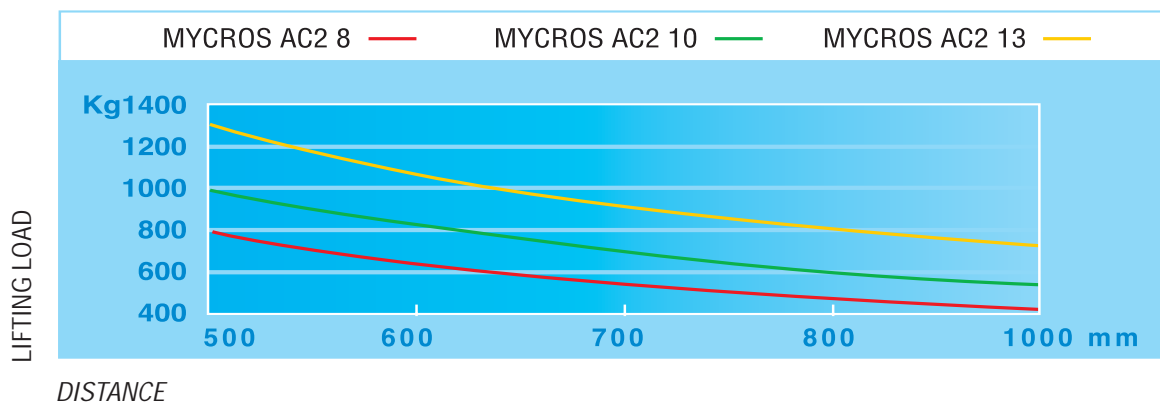




# MYCROS



## MAST DETAILS

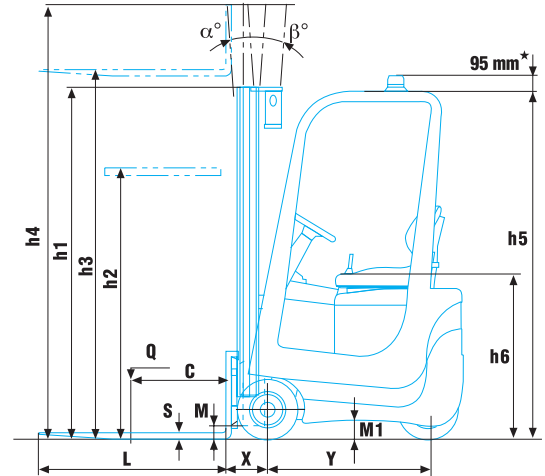
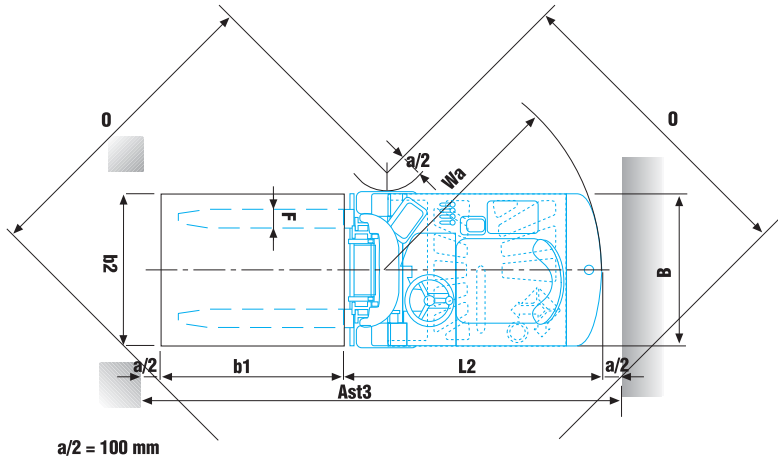
HEIGHT		STANDARD CON S.L.I.				DUPLEX CON S.L.I.				TRIPLEX CON S.L.I.		
Lifting	h3	2900	3200	3800	4200	2900	3200	3800	4200	4350	4800	5700
Height mast collapsed	h1	1955	2107	2407	2607	1955	2107	2407	2607	1955	2107	2407
Height mast extended	h4	3389	3693	4293	4693	3389	3693	4293	4693	4833	5289	6189
Free lift	h2	-	-	-	-	1485	1635	1935	2135	1485	1635	1935
Width	B	895	895	895	895	895	895	895	895	995	995	995

AC2 8-10-13

THE MOST COMPACT IN THEIR CLASS

Via PIETRO MICCA, 14 - 10095 GRUGLIASCO - TORINO - ITALY  
Tel. (+ 39) 011 781683 - 011 786102 - Fax (+ 39) 011 787261  
mycros@mariotti.it - www.mariotti.it





## SPECIFICATION SHEET

				MYCROS AC2 8	MYCROS AC2 10	MYCROS AC2 13
CHARACTERISTICS	1	Manufacturer	Abbreviated form	V.MARIOTTI S.r.l.	V.MARIOTTI S.r.l.	V.MARIOTTI S.r.l.
	2	Models	Manufacturer's model	MYCROS AC2 8	MYCROS AC2 10	MYCROS AC2 13
	3	Capacity	Q Lifting load	800	1000	1300
	4	At load centre	C Distance	500	500	500
	5	Type of drive	Electric (Battery) - Diesel - Fuel gas	electric	electric	electric
	6	Type of steering	Driver standing - driver sitting - outside	driver sitting	driver sitting	driver sitting
	7	Tyres	V Cushion - SE Superel. front / rear	SE/SE - V/V	SE/SE - V/V	SE/SE - V/V
	8	Wheels	Quantity (♦ = driven) front / rear	2 ♦ / 1	2 ♦ / 1	2 ♦ / 1
DIMENSIONS	9	Lift	h3 Lift	3200	3200	3200
	10		h2 Normal free lift (see Mast details)	/	/	/
	11	Forks Fem II	Length(L) x Width(F) x Thickness(S)	1000x100x35	1000x100x35	1000x100x35
	12	Tilt	Of the mast- forward (α) / backward (β)	3° / 6°	3° / 6°	3° / 6°
	13		L2 Length at the fork backrest	1490 *	1490 *	1490 *
	14		B Width	895	895	895
	15	Overall dimensions	h1 Height, mast collapsed	2107	2107	2107
	16		h4 Height, mast extended	3693	3693	3693
	17		h5 Height overhead guard	1995	1995	1995
	18		h6 Height seat from floor	980	980	980
19	Turning radius	Wa	1200 #	1200 #	1200 #	
20	Distance of load	X From centre front axle	290	290	290	
21	Width of aisle	O (b'xb²) 1200x800 - 1200x1000	1865 - 1915	1865 - 1915	1865 - 1915	
22		Ast 3 (b'xb²) 1200x800 - 1200x1000	2942- 2970	2942- 2970	2942- 2970	
23	Stability tests	Complying with EEC Directive 98/37/EC	yes	yes	yes	
24	Speeds	Driving with /without load	9 / 9,5	9 / 9,5	9 / 9,3	
25		Lifting with /without load	0,30 / 0,42	0,28 / 0,42	0,26 / 0,42	
26		Lowering with /without load	adjustable	adjustable	adjustable	
27	Draw- bar- pull	At the hook max with /without load	3200 / 3300	3100 / 3250	3000 / 3200	
28	Gradeability	with /without load	15 / 18	13 / 18	10 / 18	
29		Max. with /without load	20 / 25	20 / 25	18 / 24	
30	Weight	Truck, battery included	2100 •	2350 •	2600	
31	Axle load	Without load front / rear	1000/1100	1160/1190	1260/1340	
32		With load front / rear	2690/410	2890/460	3420/480	
33		Number front / rear	2 / 1	2 / 1	2 / 1	
34	Wheels	Dimensions front	140x60-9/413x152x285,8	140x60-9/413x152x285,8	140x60-9/413x152x285,8	
35		Dimensions rear	140x60-9/413x152x285,8	140x60-9/413x152x285,8	140x60-9/413x152x285,8	
36	Wheel base	Y min. / max. (variable)	947 / 1028	947 / 1028	947 / 1028	
37	Wheel track	Wheels centerline front	756	756	756	
38	Ground clearance	M With load at the lowest point	95	95	95	
39		M1 With load of wheel base	110	110	110	
40	Brakes	Service ( foot ) brake	hydraulic	hydraulic	hydraulic	
41		Hand parking brake	mechanical	mechanical	mechanical	
42	Battery	Type	Traction	Traction	Traction	
43		Volt/Ah (capacity at 5 hours' discharge)	36/ 380 - 36 / 500	36/ 380 - 36 / 500	36 / 500	
44		Weight	440 • - 540	440 • - 540	540	
45	Power steering	Hydraulic - electronically controlled	yes	yes	yes	
46	Electric motors	Hourly output of driving motor S2 60 min.	3,6 x 2	3,6 x 2	3,6 x 2	
47		Lifting motor, output S3 20%	7,9	7,9	7,9	
48	Traction Contr.	AC MOFSET	yes	yes	yes	
49	Pump control	AC MOFSET	yes	yes	yes	
50	Working Press.	For additional attachments	120	145	190	

★ On demand installation of the flashlight inside the height of the overhead guard h5

Data showed are not binding and are liable to variations. The constructor reserves the right of changes without notice.

# with mast in vertical position \* included side-shift Ast 3 =  $Wa + \sqrt{(x + b^1)^2 + (b^2/2)^2} + a$