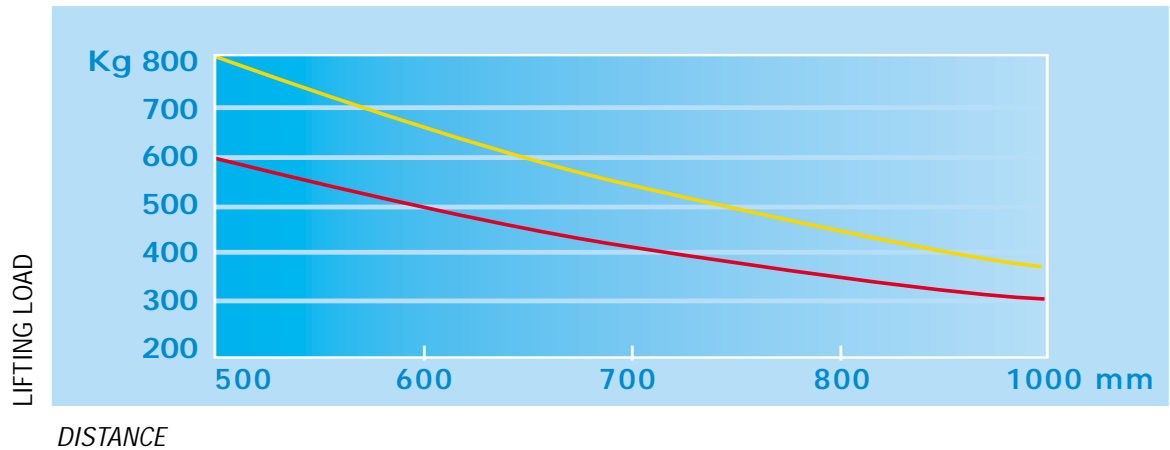


MYCROS



MYCROS 6 — MYCROS 8C —



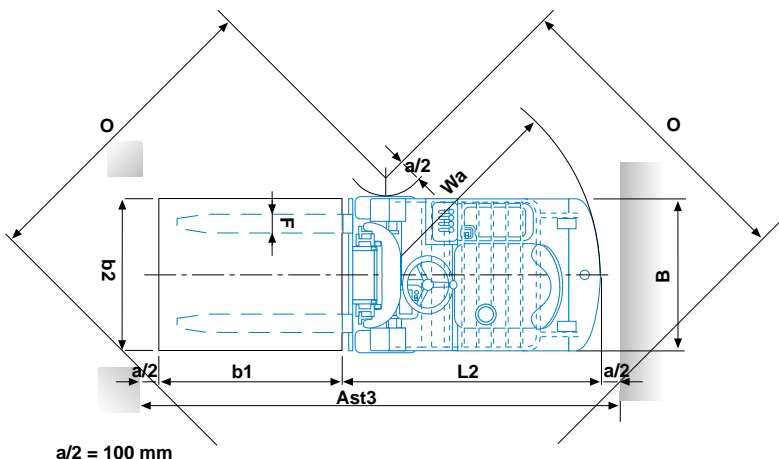
MAST DETAILS

HEIGHT		STANDARD INCL. SIDE-SHIFT				DUPLEX GAL INCL. SIDE-SHIFT				TRIPLEX GAL INCL. SIDE-SHIFT		
Lifting	h3	2870	3200	3800	4200	2870	3200	3800	4200	4305	4800	5700
Height mast collapsed	h1	1900	2065	2365	2565	1900	2065	2365	2565	1900	2065	2365
Height mast extended	h4	3315	3645	4245	4645	3315	3645	4245	4645	4750	5245	6145
Free lift	h2	-	-	-	-	1435	1600	1900	2100	1435	1600	1900
Width	B	785	785	845	845	785	785	845	845	845	845	885

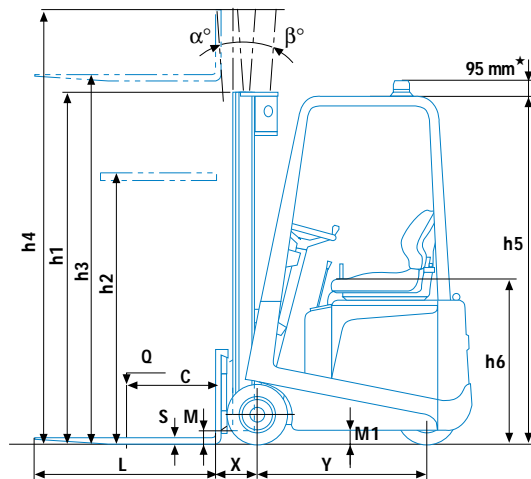


6-8C

MYCROS 6-8C



a/2 = 100 mm



SPECIFICATION SHEET

				MYCROS 6	MYCROS 8C
CHARACTERISTICS	1	Manufacturer	Abbreviated form	V.MARIOTTI S.r.l.	V.MARIOTTI S.r.l.
	2	Models	Manufacturer's model	MYCROS 6	MYCROS 8C
	3	Capacity	Q Lifting load	600	800
	4	At load centre	C Distance	500	500
	5	Type of drive	Electric (Battery) - Diesel - Fuel gas	electric	electric
	6	Type of steering	Driver standing - driver sitting - outside	driver sitting	driver sitting
	7	Tyres	V=Cushion - SE=Superel. front / rear	V / V	V / V
	8	Wheels	Quantity (♦ =driven) front / rear	2 / 1 ♦	2 / 1 ♦
DIMENSIONS	9	Lift	h3 Lift	2870	2870
	10		h2 Normal free lift (see Mast details)	on demand	on demand
	11	Forks Fem I	Length(L) x Width(F) x Thickness(S)	800x80X30	800x80X30
	12	Tilt	Of the mast- forward (α) / backward (β)	3° / 5° 30'	3° / 5° 30'
	13		L2 Length at the fork backrest	1290 *	1290 *
	14		B width	785	785
	15	Overall dimensions	h1 Height, mast collapsed	1900	1900
	16		h4 Height, mast extended	3315	3315
	17		h5 Height overhead guard	1900	1900
	18		h6 height seat from floor	850	850
19	Turning radius	Wa	1100 #	1100 #	
20	Distance of load	X From centre front axle	195 *	195 *	
21	Width of aisle	O (b'xb²) 1200x800 - 1200x1000	1750 - 1800	1750 - 1800	
22		Ast 3 (b'xb²) 1200x800 - 1200x1000	2750 - 2780	2750 - 2780	
23	Stability tests	Complying with EEC Directive 98/37/CE	yes	yes	
24		Driving with /without load	6,5 / 7,8	6,3 / 7,5	
25	Speeds	Lifting with /without load	0,240 / 0,298	0,220 / 0,298	
26		Lowering with /without load	adjustable	adjustable	
27	Draw- bar- pull	At the hook max with /without load	1500 / 1700	1400 / 1600	
28	Gradeability	with /without load	10 / 15	8 / 14	
29		Max. with /without load	15 / 18	13 / 16	
30	Weight	Truck, battery included	1400 •	1550 •	
31	Axle load	Without load front / rear	540 / 860	570 / 980	
32		With load front / rear	1670 / 330	2000 / 350	
33		Number front / rear	2 / 1	2 / 1	
34	Wheels	Dimensions front	Ø 267x127x165.1	Ø 267x127x165.1	
35		Dimensions rear	Ø 267x127x165.1	Ø 267x127x165.1	
36	Wheel base	Y min. / max. (variable)	860 / 940	860 / 940	
37	Wheel track	Wheels centerline front	660	660	
38	Ground clearance	M With load at the lowest point	75	75	
39		M1 With load of wheel base	85	85	
40	Brakes	Service (foot) brake	mechanical	mechanical	
41		Hand parking brake	mechanical	mechanical	
42		Type	Traction	Traction	
43	Battery	Volt/Ah (capacity at 5 hours' discharge)	24 / 240 - 24 / 500	24 / 240 - 24 / 500	
44		Weight	265 • - 400	265 • - 400	
45	Power steering	Hydraulic - electronically controlled	yes	yes	
46	Electric motors	Hourly output of driving motor	2	2	
47		Lifting motor, output	3	3	
48	Traction Contr.	Electronic by microprocessors	yes	yes	
49	Pump control	Electronic by microprocessors	no	no	
50	Working Press.	For additional attachments	90	155	

★ On demand installation of the flashlight inside the height of the overhead guard h5

Data showed are not binding and are liable to variations. The constructor reserves the right of changes without notice.

with mast in vertical position

* included side-shift

$$Ast\ 3 = Wa + \sqrt{(x + b')^2 + (b^2 / 2)^2} + a$$