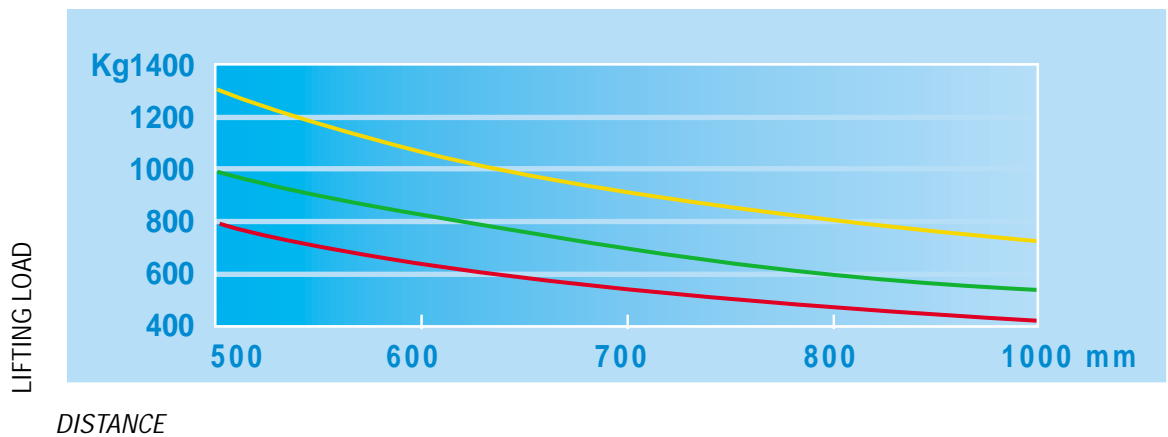


MYCROS



MYCROS 8 — MYCROS 10C — MYCROS 13C —



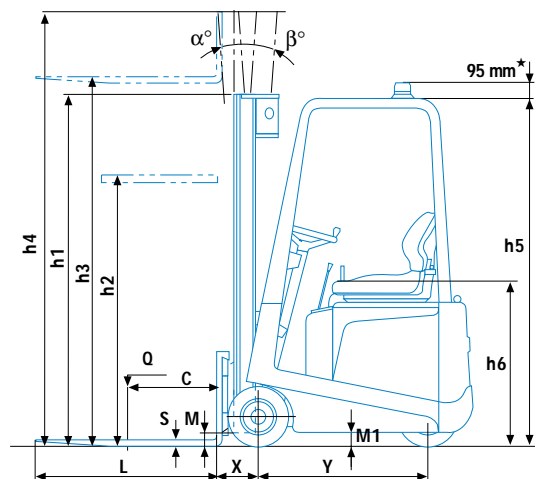
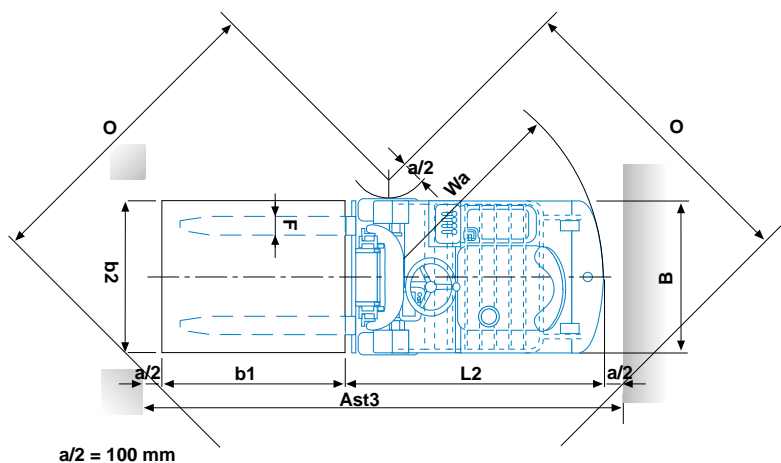
MAST DETAILS

HEIGHT		STANDARD INCL. SIDE-SHIFT				DUPLEX GAL INCL. SIDE-SHIFT				TRIPLEX GAL INCL. SIDE-SHIFT		
Lifting	h3	2870	3200	3800	4200	2870	3200	3800	4200	4305	4800	5700
Height mast collapsed	h1	1920	2090	2390	2590	1920	2090	2390	2590	1920	2090	2390
Height mast extended	h4	3395	3725	4325	4725	3395	3725	4325	4725	4830	5325	6225
Free lift	h2	-	-	-	-	1475	1635	1935	2135	1475	1635	1935
Width 8-10C	B	850	850	850	910	850	850	850	910	910	910	950
Width 13C	B	895	895	895	955	895	895	895	955	955	955	1005



MYCROS 8-10C-13C

January 2004



SPECIFICATION SHEET

				MYCROS 8	MYCROS 10C	MYCROS 13C
CHARACTERISTICS	1	Manufacturer	Abbreviated form	V.MARIOTTI S.r.l.	V.MARIOTTI S.r.l.	V.MARIOTTI S.r.l.
	2	Models	Manufacturer's model	MYCROS 8	MYCROS 10C	MYCROS 13C
	3	Capacity	Q Lifting load	800	1000	1300
	4	At load centre	C Distance	500	500	500
	5	Type of drive	Electric (Battery) - Diesel - Fuel gas	electric	electric	electric
	6	Type of steering	Driver standing - driver sitting - outside	driver sitting	driver sitting	driver sitting
	7	Tyres	V=Cushion - SE=Superel. front / rear	V / V	V / V	V / V
	8	Wheels	Quantity (♦ = driven) front / rear	2 / 1 ♦	2 / 1 ♦	2 / 1 ♦
DIMENSIONS	9	Lift	h3 Lift	3200	3200	3200
	10		h2 Normal free lift (see Mast details)	on demand	on demand	on demand
	11	Forks Fem II	Length(L) x Width(F) x Thickness(S)	1000x100x35	1000x100x35	1000x100x35
	12	Tilt	Of the mast- forward (α) / backward (β)	2°30' / 6°	2°30' / 6°	2°30' / 6°
	13		L2 Length at the fork backrest	1415 *	1415 *	1490 *
	14		B width	850	850	895
	15	Overall dimensions	h1 Height, mast collapsed	2090	2090	2090
	16		h4 Height, mast extended	3725	3725	3725
	17		h5 Height overhead guard	1915	1915	1915
	18		h6 height seat from floor	880	880	880
19	Turning radius	Wa	1160#	1160#	1235 #	
20	Distance of load	X From centre front axle	235 *	235 *	235 *	
21	Width of aisle	O (b'xb²) 1200x800 - 1200x1000	1780 - 1835	1780 - 1835	1850 - 1910	
22		Ast 3 (b'xb²) 1200x800 - 1200x1000	2840 - 2870	2840 - 2870	2915 - 2945	
PERFORMANCES	23	Stability tests	Complying with EEC Directive 98/37/CE	yes	yes	yes
	24	Speeds	Driving with /without load	7,8 / 9,5	7,2 / 9,2	7,1 / 9
	25		Lifting with /without load	0,25 / 0,36	0,24 / 0,36	0,21 / 0,36
	26		Lowering with /without load	adjustable	adjustable	adjustable
	27	Draw- bar- pull	At the hook max	3200 / 3300	3100 / 3250	3100 / 3200
	28	Gradeability	with /without load	10 / 15	8 / 14	8 / 14
29	Max. with /without load		20 / 25	20 / 25	18 / 22	
WEIGHT	30	Weight	Truck, battery included	1780 •	2080 •	2185 •
	31	Axle load	Without load front / rear	620 / 1160	710 / 1370	800 / 1380
	32		With load front / rear	2205 / 375	2670 / 410	3030 / 450
CHASSIS	33	Wheels	Number front / rear	2 / 1	2 / 1	2 / 1
	34		Dimensions front	330x127x203	330x127x203	330x152x203
	35		Dimensions rear	330x127x203	330x127x203	330x152x203
	36	Wheel base	Y min. / max. (variable)	930 / 1013	930 / 1013	1005 / 1088
	37	Wheel track	Wheels centerline front	725	725	725
	38	Ground clearance	M With load at the lowest point	85	85	85
	39		M1 With load of wheel base	90	90	90
	40	Brakes	Service (foot) brake	hydraulic	hydraulic	hydraulic
41	Hand parking brake		mechanical	mechanical	mechanical	
DRIVE	42	Battery	Type	Traction	Traction	Traction
	43		Volt/Ah (capacity at 5 hours' discharge)	36 / 270 - 36 / 375	36 / 270 - 36 / 375	36 / 380 - 36 / 500
	44		Weight	360 • - 430	360 • - 430	450 • - 550
	45	Power steering	Hydraulic - electronically controlled	yes	yes	yes
	46	Electric motors	Hourly output of driving motor	3	3	3
	47		Lifting motor, output	4,5	4,5	4,5
	48	Traction Contr.	Electronic by microprocessors	yes	yes	yes
49	Pump control	Electronic by microprocessors	no	no	no	
50	Working Press.	For additional attachments	Bar	115	140	185

★ On demand installation of the flashlight inside the height of the overhead guard h5

Data showed are not binding and are liable to variations. The constructor reserves the right of changes without notice.

with mast in vertical position * included side-shift Ast 3 = $Wa + \sqrt{(x + b')^2 + (b^2/2)^2} + a$