

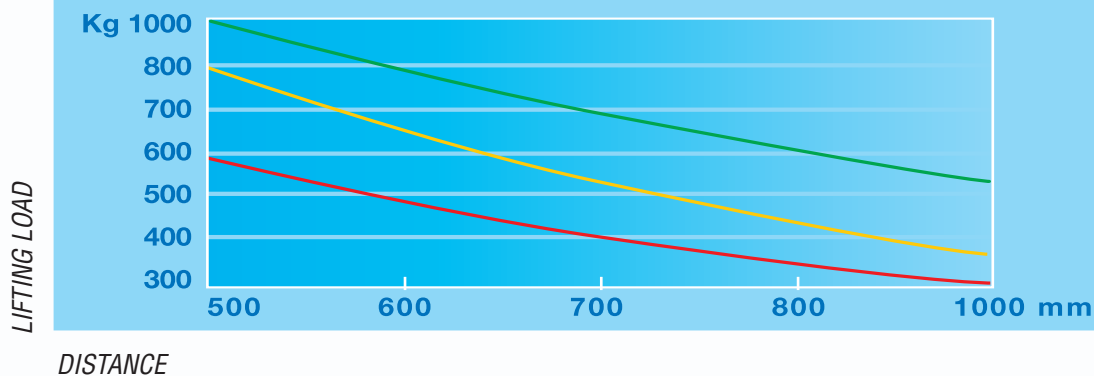


MYCROS



AC2 6-8C-10C

MYCROS AC2 6 — MYCROS AC2 8C — MYCROS AC2 10C —



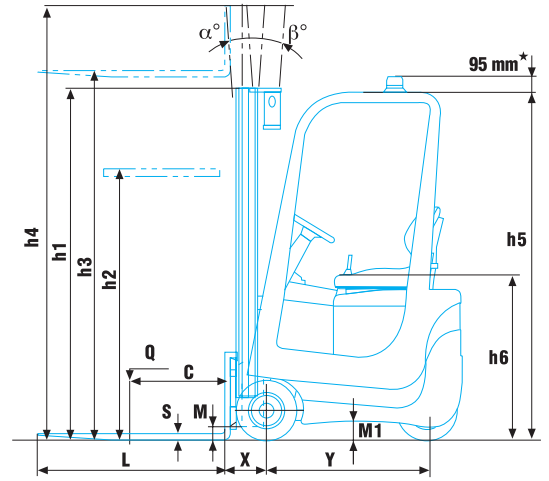
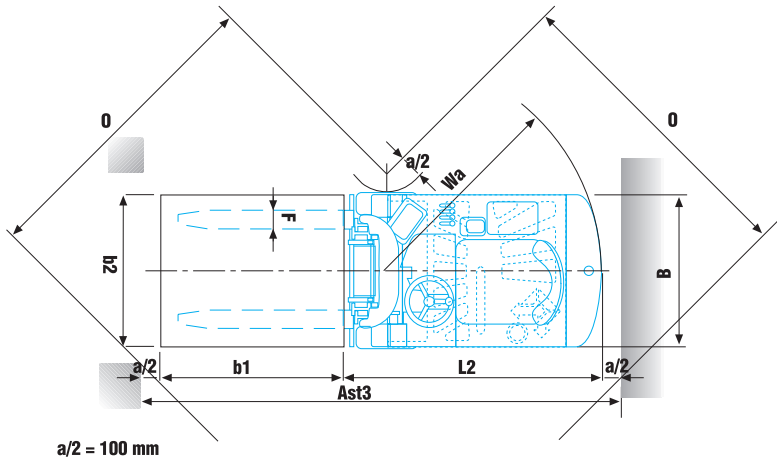
MAST DETAILS

HEIGHT		STANDARD CON S.L.I.				DUPLEX CON S.L.I.				TRIPLEX CON S.L.I.		
Lifting	h3	2900	3200	3800	4200	2900	3200	3800	4200	4350	4800	5700
Height mast collapsed	h1	1945	2097	2397	2597	1945	2097	2397	2597	1945	2097	2397
Height mast extended	h4	3379	3683	4283	4683	3379	3683	4283	4683	4823	5279	6179
Free lift	h2	-	-	-	-	1485	1635	1935	2135	1485	1635	1935
Width	B	860	860	860	860	860	860	860	860	958	958	958

THE MOST COMPLETE IN THEIR CLASS

Via PIETRO MICCA, 14 - 10095 GRUGLIASCO - TORINO - ITALY
Tel. (+ 39) 011 781683 - 011 786102 - Fax (+ 39) 011 787261
mycros@mariotti.it - www.mariotti.it





SPECIFICATION SHEET

				MYCROS AC2 6	MYCROS AC2 8C	MYCROS AC2 10C
CHARACTERISTICS	1	Manufacturer	Abbreviated form	V.MARIOTTI S.r.l.	V.MARIOTTI S.r.l.	V.MARIOTTI S.r.l.
	2	Models	Manufacturer's model	MYCROS AC2 6	MYCROS AC2 8C	MYCROS AC2 10C
	3	Capacity	Q Lifting load	600	800	1000
	4	At load centre	C Distance	500	500	500
	5	Type of drive	Electric (Battery) - Diesel - Fuel gas	electric	electric	electric
	6	Type of steering	Driver standing - driver sitting - outside	driver sitting	driver sitting	driver sitting
	7	Tyres	V Cushion - SE Superel. front / rear	V / V	V / V	V / V
	8	Wheels	Quantity (♦ = driven) front / rear	2 ♦ / 1	2 ♦ / 1	2 ♦ / 1
DIMENSIONS	9	Lift	h3 Lift	2900	2900	2900
	10		h2 Normal free lift (see Mast details)	\	\	\
	11	Forks Fem II	Length(L) x Width(F) x Thickness(S)	1000x80x30	1000x80x30	1000x80x30
	12	Tilt	Of the mast- forward (α) / backward (β)	<°	2°30' / 6°	2°30' / 6°
	13		L2 Length at the fork backrest	1330 *	1330 *	1330 *
	14		B Width	860	860	860
	15	Overall dimensions	h1 Height, mast collapsed	1945	1945	1945
	16		h4 Height, mast extended	3380	3380	3380
	17		h5 Height overhead guard	1945	1945	1945
	18		h6 Height seat from floor	950	950	950
19	Turning radius	Wa	1080 #	1080 #	1080 #	
20	Distance of load	X From centre front axle	250	250	250	
21	Width of aisle	O (b'xb²) 1200x800 - 1200x1000	1785 - 1835	1785 - 1835	1785 - 1835	
22		Ast 3 (b'xb²) 1200x800 - 1200x1000	2784 - 2813	2784 - 2813	2784 - 2813	
PERFORMANCES	23	Stability tests	Complying with EEC Directive 98/37/EC	yes	yes	yes
	24		Driving with /without load	Km/h	7,5 / 8	7,5 / 8
	25	Speeds	Lifting with /without load	m/sec	0,26 / 0,38	0,24 / 0,38
	26		Lowering with /without load	m/sec	adjustable	adjustable
	27	Draw- bar- pull	At the hook max with /without load	N	1900 / 2000	1800 / 1950
	28	Gradeability	with /without load	%	15 / 18	13 / 18
	29		Max. with /without load	%	20 / 25	20 / 25
WEIGHT	30	Weight	Truck, battery included	Kg	1700 •	1880 •
	31		Without load	Kg	820 / 880	890 / 950
	32	Axle load	With load	Kg	1980 / 320	2300 / 380
	33		Number	n	2 / 1	2 / 1
	34	Wheels	Dimensions front	mm	343x114x203	343x114x203
	35		Dimensions rear	mm	343x114x203	343x114x203
	36	Wheel base	Y min. / max. (variable)	mm	861 / 947	861 / 947
	37	Wheel track	Wheels centerline front	mm	739	739
	38	Ground clearance	M With load at the lowest point	mm	75	75
	39		M1 With load of wheel base	mm	90	90
CHASSIS	40	Brakes	Service (foot) brake		hydraulic	hydraulic
	41		Hand parking brake		mechanical	mechanical
	42	Battery	Type		Traction	Traction
	43		Volt/Ah (capacity at 5 hours' discharge)	V/Ah	36/ 315 - 36 / 375	36/ 315 - 36 / 375
	44		Weight	Kg	400 • - 440	400 • - 440
	45	Power steering	Hydraulic - electronically controlled	yes/no	si	si
	46	Electric motors	Hourly output of driving motor S2 60 min.	Kw	3,6 x 2	3,6 x 2
	47		Lifting motor, output S3 20%	Kw	7,9	7,9
	48	Traction Contr.	AC MOFSET	yes/no	yes	yes
	49	Pump control	AC MOFSET	yes/no	yes	yes
50	Working Press.	For additional attachments	Bar	100	120	

★ On demand installation of the flashlight inside the height of the overhead guard h5

Data showed are not binding and are liable to variations. The constructor reserves the right of changes without notice.

with mast in vertical position * included side-shift Ast 3 = Wa + √(x + b¹)² + (b²/2)² + a